

Engine	Xinchai A490BPG / 2.54 L	ISUZU AK-C240PKJ-30 / 2.369 L	YANMAR 4TNE92-HRJ / 2.659 L
Fuel Type	Diesel	Diesel	Diesel
Capacity @ 500 mm LC	2,000 kg	2,000 kg	2,000 kg

CPCD20

**DIESEL
PNEUMATIC TIRE FORKLIFTS**

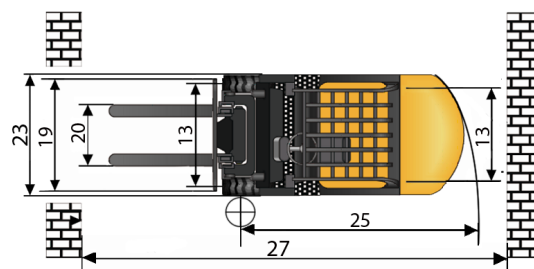
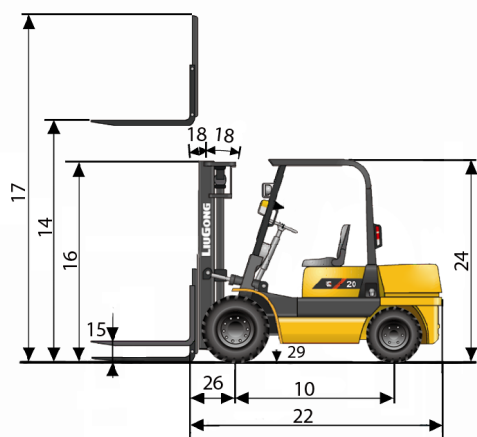
LIUGONG



TOUGH WORLD. TOUGH EQUIPMENT.

CPCD20 SPECIFICATIONS >>>

General	Model	1			CPCD20	CPCD20	CPCD20
	Power Type	2			Diesel	Diesel	Diesel
	Base Capacity	3	@rated load center	kg	2,000	2,000	2,000
	Load Center	4		mm	500	500	500
Weights	Service Weight	5	unloaded	kg	3,480	3,480	3,480
	Axle Load	6	loaded / unloaded, front	kg	4,850 / 1,610	4,850 / 1,610	4,850 / 1,610
		7	loaded / unloaded, rear	kg	630 / 1,870	630 / 1,870	630 / 1,870
Tires	Tire Type	8			Pneumatic	Pneumatic	Pneumatic
	Wheels	9	front / rear		2 / 2	2 / 2	2 / 2
	Wheelbase	10		mm	1,600	1,600	1,600
	Tire Size	11	front		7.00-12-12PR	7.00-12-12PR	7.00-12-12PRR
		12	rear		6.00-9-10PR	6.00-9-10PR	6.00-9-10PRR
Mast	Tread Width	13	front / rear		970 / 980	970 / 980	970 / 980
	Max. Fork Height	14	with std 2-stage mast	mm	3,000	3,000	3,000
	Freelift	15	with std 2-stage mast	mm	140	140	140
	Height, Upright Lowered	16	with std 2-stage mast	mm	2,039	2,039	2,039
	Height, Upright Extended	17	with std 2-stage mast	mm	4,065	4,065	4,065
	Mast Tilt, Fwd/Back	18	with std 2-stage mast	deg	6° / 12°	6° / 12°	6° / 12°
	Carriage	19	width	mm	1,040	1,040	1,040
	Fork Spread	20	minimum / maximum	mm	222 / 1,010	222 / 1,010	222 / 1,010
	Fork Dimensions	21	T x W x L	mm	40 x 100 x 920	40 x 100 x 920	40 x 100 x 920
	Chassis	Length to Fork Face	22	with std 2-stage mast	mm	2,507	2,507
Overall Width		23		mm	1,150	1,150	1,150
Overhead Guard Height		24		mm	2,100	2,100	2,100
Turning Radius		25	minimum outside	mm	2,200	2,200	2,200
Fork Overhang		26	with std 2-stage mast	mm	465	465	465
Right Angle Stack		27	add load length and clearance	mm	3,935	3,935	3,935
Gound Clearance		28	minimum loaded	mm	110	110	110
		29	center of wheelbase	mm	120	120	120
Performance	Travel Speed	30	loaded / unloaded	Km/h	19 / 20	19 / 20	19 / 20
	Lift Speed	31	loaded / unloaded	m/s	0.46 / 0.5	0.46 / 0.5	0.46 / 0.5
	Lower Speed	32	loaded / unloaded	m/s	0.55 / 0.4	0.55 / 0.4	0.55 / 0.4
	Max. Drawbar Pull	33	loaded	kg	1,650	1,650	1,650
	Max. Gradeability	34	loaded / unloaded	%	18 / 20	18 / 20	18 / 20
Systems	Brakes	35	service		Foot / Hyd	Foot / Hyd	Foot / Hyd
		36	parking		Hand / Mech	Hand / Mech	Hand / Mech
	Engine	37	manufacturer		Xinchai	ISUZU	YANMAR
		38	model		A490BPG	AK-C240PKJ-30	4TNE92-HRJ
		39	emission compliance		China Tier II	Euro Tier III	EPA / Euro Tier III
		40	cylinders		4	4	4
		41	displacement	liter	2.54	2.369	2.659
		42	rated power	kW/rpm	36.8 / 2,650	35.4 / 2,500	32.8 / 2,450
		43	max. torque	N · m/rpm	148 / 1,900	137.7 / 1,800	140 / 1,700



Guangxi Liugong Machinery Co., Ltd.

No. 1 Liutai Road, Liuzhou, Guangxi 545007, PR China
T: +86 772 3886124 E: overseas@liugong.com
www.liugong.com

06/2014 Designed by Liugong

Specifications and designs are subject to change without notice. Machines shown may include optional equipment.