

	835H
Engine	Weichai WP6G125E201
Net Power	85 kW (116 hp) @ 2,000 rpm
Operating Weight	10,300 kg
Bucket Capacity	1.5 – 3.0 m ³

835H

WHEEL LOADER



TOUGH WORLD. TOUGH EQUIPMENT.

TOUGH WORLD. TOUGH EQUIPMENT.

You don't need to be told it's a tough world. It's your reality, you live it every day and you know how hard it can be on your people and your machines. It's getting tougher to make your business pay too, with rising costs, increasing legislation and greater competition. We understand and we've put that insight into action with a choice of two, new middle weight wheel loaders: the new 835H. Our aim is to give you powerful, adaptable machines to bring real, multi-tasking benefits to the jobsite.

NO TOUGH COMPROMISES, JUST EVERYTHING YOU NEED AND NOTHING YOU DON'T

The construction equipment industry has seen an expensive trend towards over-engineered products. Some manufacturers genuinely believe that adding cost, adds perceived value in customers' eyes.

BUT YOU TOLD US A DIFFERENT STORY

You asked for tough, well-engineered wheel loaders, with the ability to adapt to any situation and handle multiple jobs with ease.

YOU WANTED HARD WORKING WHEEL LOADERS THAT DELIVER ON 3 ESSENTIAL NEEDS:

1



JOBSITE ADAPTABILITY

2



UPTIME AND SUPPORT

3



TOTAL COST OF OWNERSHIP



With the new 835H, we've risen to your challenge and given you everything you want – a choice of tough, multi-tasking, versatile wheel loaders – built without compromise.



TOUGH FACTS

TOUGH MANUFACTURING & QUALITY STANDARDS

When it comes to quality, we let our actions speak for themselves.

We are following a rigorous Six Sigma methodology and consistently achieve ISO 9001 standards.

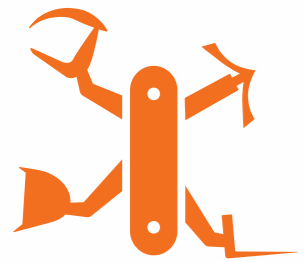
TOUGH RESEARCH AND TESTING

Finding tougher, smarter, safer and more cost-effective ways of working matters to you. It matters to us too. Our new Global Research & Development Centre in Liuzhou, China, is a great example of this customer focused approach. We've established an international team of industry experts, backed up with the latest world-class technology, all focused on delivering greater value to you.

TOUGH PARTNERS

Liugong has teamed up with some of the industry's best known names. Here's just a few of our valued joint venture partners:

- German drivetrain components manufacturer ZF Friedrichshafen AG
- Finnish mining and aggregates processing equipment manufacturer Metso
- North American diesel engine manufacturer Cummins



JOBSITE ADAPTABILITY

To ensure real return on investment you demand machines that can quickly adapt to any situation on the jobsite and handle multiple jobs with speed and precision. Our new 835H wheel loaders, combined with our perfectly matched quick coupler and attachments, create the ultimate in multi-tools. Here is a selection of key benefits, common to both of our new machines.

1 POWER TO WORK HARDER

Our new wheel loaders match their power to the job with world-class, versatile engines, designed to maximize torque and deliver more power and breakout force at lower engine speeds.

2 TRANSMISSION EFFICIENCY

Power shift transmission, including torque converter, cleverly adapts to any situation, ensuring the maximum transfer of power to improve performance and fuel efficiency.

3 ADAPTIVE HYDRAULICS

LiuGong's new-generation advanced hydraulic system adapts itself to any job organizing the mechanical, electrical and hydraulic systems to work in perfect harmony. Dual pump confluent with steering always in priority.

4 NEW Z-BAR LINKAGE

Optimized Z-Bar geometry further improves the adaptability of our machines enhancing bucket breakout force, loading stability, speed and operator visibility.

5 GET A GRIP

For the ultimate in traction and manoeuvrability, you can rely on our limited-slip differential axles. They automatically deliver power to the wheels making turning easier, reducing tire wear and maximizing bucket-filling performance.

6 THE TOUGHEST FRAME

The chassis frame is the backbone of the machine, so it's got to be tough. Our rigorous design and testing regime has delivered a chassis capable of absorbing all the forces and pressures of the toughest environments and most demanding jobs. Year after year, our chassis stays strong, protecting the driveline, your operator and your profitability.

7 THE PERFECT MATCH

Jobsite adaptability is about perfectly matching the machine to a wide range of attachments. We've created a versatile tool that will maximize productivity and return on investment.

8 GETS THE JOB DONE SAFELY

When it comes to safety our cabs are second to none. ROPS and FOPS safeguard your operator, but we've gone further by enhancing visibility to create a safer environment inside and outside the cab.



TOUGH JUDGES

Wheel loader operators are tough judges. They know what they like and what they don't. We've talked, we've listened and we've delivered a no-nonsense wheel loader that will do everything the operator wants and needs it to do. **Job done? Judge for yourself.**

350,000

MACHINES DELIVERED

SHARING OUR CUSTOMERS' SUCCESS

No matter what we say or how passionately we argue our case, ultimately jobsite adaptability comes down to one unavoidable question.

Can our machines really cut it in the real world?

Our answer?

Ask the satisfied owners of the **350,000** LiuGong wheel loaders already delivered. Their trust in our knowledge, their satisfaction in our product and their loyalty, have made LiuGong one of the world's largest wheel loader manufacturers.

Don't take our word... take theirs.



“ GETS THE JOB DONE

I have been the operator of this LiuGong wheel loader since the company purchased it three years ago... It is used day in, day out, eight-to-ten hours a day, five and sometimes six days a week. Even though stone mines are tough on machinery we have not had any major problems. Age has not effected the controls; they are still just as reactive and the engine and lifting performance is still as strong as the day it arrived. ”

Eszak Terko Ltd – Hungary

“ A CREDIBLE CHOICE

Even though we know that Chinese brands will be future leaders in the construction industry, we were a little uncertain about what LiuGong could offer, so we did a lot of research online before committing to the purchase. We found that LiuGong is a major player globally and that most of the technical components are from Western Europe so there is very little risk.

If we do have a problem, there is a European parts warehouse in Poland and the local dealer provides good support.

Van Dijk Infracgroep – the Netherlands ”



POWERED TO PERFORM

Jobsite adaptability is about giving you the power to get more productivity from your machine, but for less cost and less environmental impact.



LESS IS MORE

The new 835H Tier 2 machine benefits from the fuel economic Weichai engine and Cummins engine for your options. The engine has been carefully chosen to help deliver operational versatility, reduce cost and to comply with the latest environmental legislation.

It uses direct fuel injection system, turbo charger and charge air cooler combining to deliver optimal performance whatever the task.

From air intake to exhaust system, this engine delivers for the environment and your business bottom line.

Our engine is optimized for rapid throttle response, getting the job done fast, but not at the expense of the environment. Fuel consumption and emissions are significantly reduced with Intelligent Auto-Idle Speed Control. This smart function matches the engine speed and RPM to the task, automatically switching to

idle speed between actions. Tests indicate that a significant amount of fuel (2-3 L) can be saved on a typical 8 hour shift.

Our engines may be green but they don't compromise on toughness. Endurance testing exposes them to over 30,000 hours of relentless testing, proving that our machines really do have the power to perform, shift after shift.

KEEPING IT COOL AND CLEAN

Inefficient engine cooling has a negative effect on fuel economy and emissions. We have focused our design experience on greatly improving the engine cooling system. The new 6mm hexagon grill improves ventilation while a new reversible hydraulic fan, increases cooling efficiency with the flick of a button.



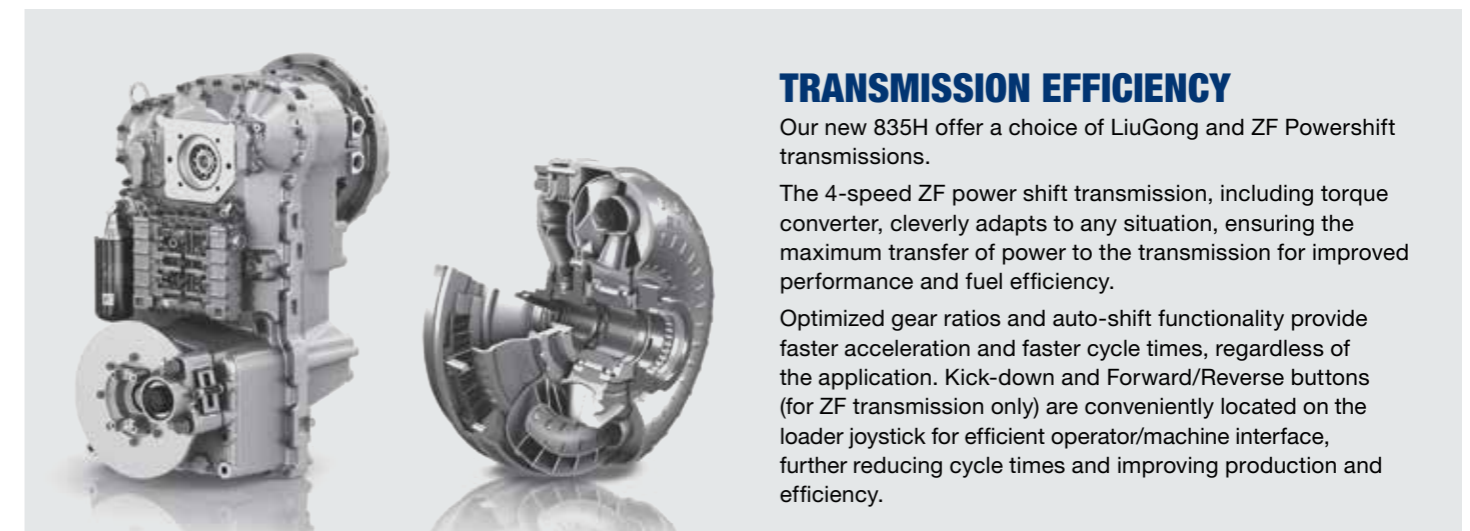
835H

Weichai WP6G125E201

6-cylinder, 6.75 liter., turbocharged
Net power rating of 85 kW (116 hp) @ 2,000 rpm.

Cummins 6BTA5.9

6-cylinder, 5.9 liter, turbocharged
Net power rating of 85 kW (116 hp) @ 2,200 rpm.



TRANSMISSION EFFICIENCY

Our new 835H offer a choice of LiuGong and ZF Powershift transmissions.

The 4-speed ZF power shift transmission, including torque converter, cleverly adapts to any situation, ensuring the maximum transfer of power to the transmission for improved performance and fuel efficiency.

Optimized gear ratios and auto-shift functionality provide faster acceleration and faster cycle times, regardless of the application. Kick-down and Forward/Reverse buttons (for ZF transmission only) are conveniently located on the loader joystick for efficient operator/machine interface, further reducing cycle times and improving production and efficiency.

DESIGNED TO GET MORE DONE

Jobsite adaptability is about giving you more options to take on multiple tasks and to achieve higher return on your investment.



LOCKED ON VERSATILITY

Our quick coupler lives up to its name and turns your wheel loader into a powerful multi-functional tool in seconds. It allows your operators to select, lock on and utilize attachments quickly and safely from the comfort of the cab, helping you do more and earn more.

NEW Z-BAR LINKAGE

Careful distribution of stress loads increases the Z-bar's tolerance significantly. Improved Z-bar geometry enhances bucket breakout force, operator visibility, loading stability and speed.

ADVANCED LOAD SENSING HYDRAULICS

Liugong's new-generation advanced hydraulic system adapts itself to any job, organizing the mechanical, electrical and hydraulic systems to work in perfect harmony.

Adaptive technology perfectly matches the hydraulic flow with the machine's operation. Power is only supplied as needed, ensuring superior control of both the boom and the attachment enabling the operator to complete a variety of demanding tasks with precision and efficiency.



POWERFUL TRACTION

Limited-slip differential axles match themselves to the toughest terrain, automatically delivering power to all four tires and increasing traction for maximized bucket-filling performance. Advanced axle engineering increases the resistance to both internal torque loads and the external forces helping to get tough work done easily.

RIDE CONTROL

Liugong wheel loaders excel in adapting to any jobsite conditions. Our new generation ride control, coupled with an automated bucket positioning feature, absorbs shocks and improves ride quality for the operator over any terrain. Importantly, our new ride control significantly prevents material loss and perfectly complements our new buckets which are easier to fill, load and carry, noticeably increasing productivity and earning potential.



COMFORT AND SAFETY. NO COMPROMISES

Climb into our cabs and you can see that they have been designed by someone who has operated a machine in really tough conditions and who knows the importance of comfort and safety.

For a start, 3-Bar stamped steps with a 10° ergonomic incline and improved anti-slip tread make our machines safe and easy to get in and out of.

Well-placed door handles, safety rails and anti-slip tape on the upper part of the machine make it easier and safer for operators to enter and exit the cab safely in all weathers and conditions.

Superior visibility is essential for safe and productive work on the jobsite, particularly when working in a confined space or when switching multiple attachments. We've risen to the visibility challenge by creating a panoramic view cab with curved front glass and well positioned lift arms to guarantee the operator a clear line of sight to the bucket edge at ground level. Sight lines to all corners of the machine have also been improved to increase safety whilst the optional rear-view camera contributes to an

overall visibility improvement of 15%.

The controls, including joystick or finger control levers, are where the operator needs them to be. They are easy to see, easy to reach and easy to handle.

The multi-adjustable air-suspension seats are comfortable and designed to keep the operator fresh and alert.

WE PUT OPERATORS FIRST

It makes good business sense to give operators the very best working environment – a comfortable operator is a productive operator.

Our aim is to keep operators safer, more alert and more productive.



The cab protects the operator from noise and vibrations and is well ventilated. It has advanced climate control to handle the changing seasons and is completely sealed to prevent dust from entering the workplace.

HARD WORK – NO SWEAT

Whatever the job, an advanced climate control system with eight all-round vents, creates the perfect working environment in any weather. Easy-to-replace air filters further enhance the operator's experience eliminating dust and preventing particles from polluting the cab.

CONTROL IN THE OPERATOR'S HANDS

We believe in making life easy for the operator which is why we've positioned the kick-down and forward/reverse buttons on the joystick.

The kick-down function gives the operator finger-tip control enabling him to lower the gear, increase engine torque and maximize bucket breakout force with the minimum of effort.



DAILY CHECKS AND MAINTENANCE SHOULDN'T BE TOUGH

Simple daily checks and maintenance prolong machine performance but, they can be difficult and time consuming on tough jobsites where time is precious.

Not with our wheel loaders.

The wide opening fiberglass hood gives fast and easy access to the engine and regular service points – that's good news for operators who want to reduce maintenance time to the minimum.

ONBOARD MONITORING

With on board monitoring, the operator can check the machine's vital signs; oil temperatures and pressure levels, receive service interval alerts and access all the information that contributes to simple maintenance and servicing of the machine, right from his seat.



Maintenance speed and access is further improved with sturdy handrails, fitted as standard, which enable safe and easy access to the upper structure.



An automatic greasing system improves bearing life and reduces repairs by delivering regular and precise amounts of grease to each bearing.

EASILY ACCESSIBLE SERVICE POINTS MAKE DAILY CHECKS FAST AND EFFECTIVE

- Easily visible hydraulic oil level gauge
- Ground accessible, grouped filters
- Easy to reach electronic control box
- Easy to replace A/C filter next to the cab door





JOBSITE UPTIME AND SUPPORT

Jobsite adaptability might convince you to buy your first machine, but uptime and support and total cost of ownership will keep you coming back to buy more machines. Having confidence in the machine's back up and support network is a vital part of the purchasing decision. How do we at LiuGong measure up?

FAST RESPONDING GLOBAL NETWORK

We have an extensive dealer network of over 2,650 outlets in more than 100 countries.

All supported by 10 regional subsidiaries and 9 global parts centers offering expert training, parts and service support.



WHERE YOU NEED US WHEN YOU NEED US

Reliability is built into our machines but all machines have some planned downtime. Our aim is to reduce even planned downtime to the minimum by getting it right. Technician training and parts availability are also high on our agenda, as is keeping you

informed on service and maintenance work and providing clear and accurate estimates, invoices and communication. These may be small things, but customer feedback tells us that these basics really matter – so we aim to get them right.

MAINTENANCE AND SUPPORT PACKAGES

From genuine LiuGong parts, to full repair and maintenance contracts, LiuGong has the flexibility to offer the level of support and response to suit your business and applications. Whatever level of support you choose you can be confident that it is backed up by LiuGong's service promise.



**Right parts.
Right price.
Right service.**

**Above all,
we get it right
the first time.**



WE ARE LIUGONG. WORKING HARD TO KEEP OUR GLOBAL CUSTOMERS EARNING



LIUGONG SERVICE PROMISE





TOTAL COST OF OWNERSHIP

Jobsite adaptability and uptime & support are two key wheel loader purchasing criteria but ultimately, the machine's earning potential, its overall life cost and its trade-in value really matter too.

When it comes to total cost of ownership LiuGong has a strong story to tell.

PROFESSIONAL ADVICE

We are committed to reducing your total cost of ownership and increasing your profits. As part of this, LiuGong's experts will provide targeted advice on everything, from choosing the right machine for your needs to maximizing its efficiency on site.

MACHINE AVAILABILITY

Our machines deliver everything you need and nothing you don't. They are expertly engineered NOT over engineered. As a result of having an extensive manufacturing operation right in the heart of Europe, we can offer significantly shorter lead times on

a range of models, compared with some manufacturers. In fact, we can deliver selected machines in as little as 4 weeks.

The faster you can get a machine – the faster you can get working and earning.

Our aim is to get you on to the jobsite fast.

TICKET PRICE

At LiuGong, our aim is to provide you with real, measurable value by giving you everything you need and nothing you don't. For example, we choose high quality, proven components such as Cummins/ Weichai engines and Rexroth hydraulic pumps. These proven components, combined with LiuGong design and manufacturing quality, result in a high quality, competitive machine that is totally fit for purpose.

RESIDUAL VALUE

With the combination of LiuGong design and manufacturing excellence, world class components and comprehensive uptime support, our quality holds its value.



IT ALL ADDS UP

With our new wheel loaders we've risen to the challenge and given you everything you need and nothing you don't.

It's a machine which can handle any job, anywhere and are backed up by LiuGong's service promise. Add up the benefits and you'll see that our new 835H have the formula for success.



JOBSITE ADAPTABILITY

+

UPTIME AND SUPPORT

+

TOTAL COST OF OWNERSHIP

CUSTOMER SATISFACTION



Operating weight 10,300 kg

Operating weight includes the machine weight with standard work device, no additional equipment or accessories, full fuel tank, all fluids at required level and an operator 75 kg.

Bucket capacity 1.5 - 3.0 m³

ENGINE

Description

Weichai EPA Tier 2 / EU Stage II-approved, 6.75 liter, 6-cylinder straight turbocharged diesel engine with mechanical direct fuel injection system.
Weichai turbocharged system, high transient response.
Air cleaning: Whirlwind pre filter, two stage air filter.
Cooling system: Charge air cooler, direct driven fan and suction type cooling system, single radiator layout.

Emission rating	EPA Tier 2 / EU Stage II
Make	Weichai
Model	WP6G125E201
Engine output - Gross (SAE J1995 / ISO 14396)	92 kW (125 hp) @ 2,000 rpm
Engine output - Net (SAE J1349 / ISO 9249)	85 kW (116 hp) @ 2,000 rpm
Peak torque	560 N·m
Displacement	6.75 L
Number of cylinders	6
Aspiration	Turbocharged

TRANSMISSION

Description

Torque converter: double-stage, four elements.
Transmission: LiuGong BS305D planetary transmission,
Gear shifting system: Number of speeds, forward-2, reverse-1. Compact, high efficiency, low noise, easy to operate.

Transmission type	Planetary, power shift
Torque converter	Double stage, four elements
Max. travel speed, fwd	37 km/h
Max. travel speed, rev	15.5 km/h
Number of speed, fwd	2
Number of speed, rev	1

BRAKES

Description

Two independent brake circuits, accurate control with the main valve & gear pump.

Service brake type	Caliper discs brake, two independent circuits
Service brake actuation	Air over hydraulic
Parking brake type	Manual pneumatic control
Parking brake actuation	Mechanical

AXLES

Model	LiuGong (Dry type)
Differential front type	Conventional
Differential rear type	Conventional
Axle oscillation	±11°

HYDRAULIC SYSTEM

Description

System supply: Two gear pumps with fix displacement with steering in priority.
Valves: Double-acting 2-spool valve. The main valve is controlled by a 2-spool pilot valve.
Lift function: The valve has four positions: lift, hold, lower, and float. Inductive/magnetic automatic boom kick-out can be switched on and off and is adjustable to two positions: bucket at ground Level and maximum reach full lifting height.
Tilt function: The valve has three functions: rollback, hold and dump.
Cylinders: Double-acting cylinders for all functions.
Filter: Full-flow filtration through 12 micron (absolute) filter cartridge.

Main pump type	Gear
Main relief pressure	18 MPa
Raise	4.7 s
Dump time	1.0 s
Float down time	3.1 s
Fastest total cycle time	8.8 s
Controls	Flexible shaft

SERVICE CAPACITY

Fuel Tank	140 L
Engine Oil	18 L
Cooling System	35 L
Hydraulic System	88 L
Transmission and Torque Converter	45 L
Axles, Each	16 L

STEERING

Description

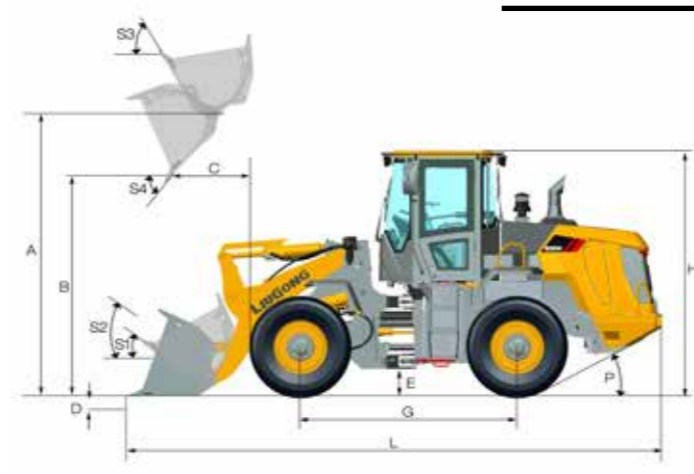
Steering system: Load-sensing hydraulic articulated steering.
System supply: The steering system has priority feed from a gear pump with fix displacement.
Steering cylinders: Two double-acting cylinders.

Steering configuration	Articulated
Steering relief pressure	17.2 MPa
Steering cylinders	2
Cylinder bore	70 mm
Rod diameter	40 mm
Stroke	420 mm
Maximum flow	210 L/min
Maximum articulation	±40°
Smallest turn (over tire)	5,090 mm

CAB

Description

Instrumentation: All important information is centrally located in the central instrument panel and operator's field of vision. Large curved front glass, rear mirrors ensure great visibility.
Adjustable steering column, high back seat, armrest box and A/C with all-around air outlets.
Pressurized cab with lower interior noise. The cab is tested and approved according to ROPS (ISO 3471), FOPS (ISO 3449).



ELECTRICAL SYSTEM

Description

The central warning system is a conronic electrical system with central warning light and buzzer for the following functions: Serious engine fault, low steering system pressure, interruption in communication (computer failure)
A central warning light and buzzer when the gear is engaged is for the following functions: Low engine oil pressure, low transmission oil pressure, high transmission oil temperature, low brake pressure, engaged parking brake, brake charging failure, high hydraulic oil temperature

Voltage	24 V
Batteries	2 x 12 V
Battery capacity	2 x 120 Ah
Cold cranking capacity, approx	850 A
Reserve capacity	230 min
Alternator rating	1,960 W / 70 A
Starter motor output	4.8 kW

SOUND & ENVIRONMENT

Sound level in cab according to ISO 6396-2008/EN ISO 3744-1995	82 dB(A)-- Travel mode
Sound level in cab according to ISO 6396-2008/EN ISO 3744-1995	83 dB(A)-- Stationary work cycle mode
External sound level according to ISO 6395-2008	107 dB(A)-- Travel mode
External sound level according to ISO 6395-2008	108 dB(A)-- Stationary work cycle mode
Ventilation	9.2 m ³
Heating capacity	5.8 kW (7.8 hp)
Air conditioning	6 kW (8 hp)

LOADER ARM PERFORMANCE WITH ATTACHMENT

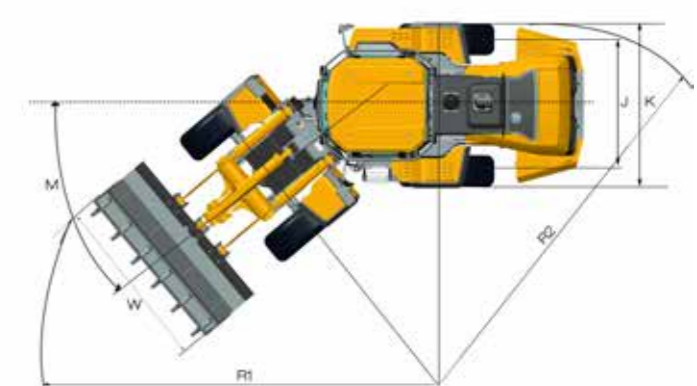
Description

Tipping Load data is calculated with standard bucket at 1.8 m³ and operating weight at 10,300 kg.

Tipping load - straight according to ISO 14397-1:2007	7,800 kg
Tipping load - full turn according to ISO 14397-1:2007	6,700 kg
Bucket breakout force	105 kN
A Maximum hinge pin height	3,730 mm
B Dump clearance at full height discharge	2,920 mm
C Dump reach at full height discharge	1,014 mm
D Maximum digging depth, bucket level	40 mm
S ₁ Bucket rollback at ground level	41°
S ₂ Bucket rollback at carry	48°
S ₃ Bucket rollback at maximum height	61°
S ₄ Maximum dump angle at full height	45°

DIMENSIONS

E Ground clearance	345 mm
G Wheelbase	2,870 mm
H Cab height	3,232 mm
J Wheel tread	1,850 mm
K Width over tires	2,300 mm
L Length with bucket down	7,010 mm
M Turn angle, either side	40°
P Rear angle of departure	29°
R ₁ Turning radius, bucket carry	5,617 mm
R ₂ Turning radius, outside of tire	5,090 mm



TIRES

Choosing the right tyres for your machine will become a key competitive advantage to achieve outstanding performance. Through close engineering and development cooperation with renowned and carefully selected suppliers, LiuGong can offer full range of tyres specially tailored for wheel loader.

Code	Application	Patterns	Size	PR / *	Tube Type	Width	Overall Diameter	Tread Depth	Load Capacity, 50 km/h / 10 km/h
L2	<ul style="list-style-type: none"> where good traction is needed, e.g. at grading work in soft and muddy operation where sharp stones don't occur in all load/carry operations 		17.5 - 25	12	TL	445 mm	1,350 mm	25 mm	3,650 / 6,150 kg
			17.5 - 25	16	TL	445 mm	1,350 mm	25 mm	4,250 / 7,300 kg
L3	<ul style="list-style-type: none"> in sand operation in all kind of load/carry operation the L3-tread is not as open as L2 and has consequently less self-cleansing compared with an L2 tyre 		17.5 - 25	14	TL	445 mm	1,350 mm	26 mm	3,930 / 6,700 kg
			17.5 - 25	16	TL	445 mm	1,350 mm	26 mm	4,250 / 7,300 kg
			17.5 - 25	20	TL	445 mm	1,350 mm	26 mm	5,000 / 8,250 kg
			17.5 R 25	*	TL	445 mm	1,345 mm	29 mm	7,100 / 4,125 kg
L5	<ul style="list-style-type: none"> in very aggressive material where good protection against cut damages is demanded, e.g. in quarries or mines 		17.5 R 25	*	TL	445 mm	1,415 mm	64 mm	7,100 kg @ 10 km/h
			17.5 R 25	**	TL	445 mm	1,415 mm	64 mm	8,500 kg @ 10 km/h

Note: The radial tire-load bearing capacity is indicated by the number of stars (*). More stars, greater radial tire-load bearing capacity. For the specific radial tire sizes listed in the table above, 2 stars (**) represents the maximum radial tire-load bearing capacity.

ATTACHMENTS

LiuGong attachments with pin-on or quick-coupler ensure high quality. The integrated design of the system creates a perfect match to achieve superior productivity.

Type	Capacity	Width	Height	Digging Depth	Dump Clearance	Dump Reach	Description	Attachment Drawing
General Purpose	1.8 m³	2,460 mm	1,158 mm	40 mm	2,920 mm	1,015 mm	Anti-Wear Blade with Welded Teeth.	
	2.0 m³	2,456 mm	1,195 mm	40 mm	2,850 mm	1,089 mm	Anti-Wear Blade with Bolt-on Cutting Edge and Bolt-on Teeth.	
	2.2 m³	2,537 mm	1,219 mm	40 mm	2,850 mm	1,089 mm	Bolt-on Cutting Edge; Bolt-on Teeth; Bolt-on Cutting Edge and Bolt-on Teeth.	
Light Material	2.5 m³	2,716 mm	1,204 mm	46 mm	2,780 mm	1,074 mm	Bolt-on Cutting Edge.	
	3.0 m³	2,766 mm	1,264 mm	56 mm	2,730 mm	1,189 mm	Bolt-on Cutting Edge.	
Rock	1.5 m³	2,526 mm	1,134 mm	78 mm	2,865 mm	980 mm	V-Shape Anti-Wear Blade.	
Grapple	Φ600 mm	2,030 mm	1,223 mm	46 mm	2,778 mm	1,216 mm	Aligned Teeth.	
	Φ400 mm	1,527 mm	1,600 mm	46 mm	2,575 mm	980 mm	Crossed Teeth.	

STANDARD EQUIPMENT

ENGINE

- Weichai Engine, EPA Tier 2 / EU Stage II engine output net 85 kW (116 hp), 6 cylinders, 4 stroke
- Mechanical direct fuel injection system.
- Pre-filter with water separator
- Fuel filter
- Direct driven fan
- Flame Cold Start

TRANSMISSION

- LiuGong BS305 planetary transmission
- Cable manual control, power shift

AXLE

- LiuGong dry axle without limited slip differentials
- Caliper discs service brake system
- Parking brake service as secondary

HYDRAULIC SYSTEM

- Two gear pumps with fix displacement hydraulic load-sensing
- Flexible shaft control
- Plug at the port of bucket and boom cylinder for pressure check
- Emergency boom lower via pilot accumulator

STEERING SYSTEM

- Load sensing system with flow amplification and steering priority

TIRE & RIM

- 17.5-25/L3 bias tire
- Normal fender

CHASSIS FRAME

- Spacious central articulation arrangement with conic bearing
- Articulation locking bar
- Tow hitch
- Rubber cushion articulation stops

LINKAGE & ATTACHMENTS

- Z-bar linkage

ELECTRIC SYSTEM

- Two front lights with high/low beam
- Two front headlights on top of cab
- Two rear headlight on top of cab
- Turn signals with flasher
- Batteries, free of maintenance
- Cigarette lighter, 24 V power outlet
- Electric horn
- Front windshield wiper
- Electronic device compartment
- Back-up alarm
- Radio/player with USB port
- Reversing warning light, automatic

GAUGE GROUP

- Engine coolant temperature
- Transmission oil temperature
- Fuel level
- Hour meter
- Voltage
- Brake oil pressure

INDICATOR GROUP

- Intake air filter alert
- Battery charging
- Parking brake applied
- Machine emergent stop
- Power cut-off
- Engine servicing
- Turning lights
- Transmission oil pressure alarm
- Engine starter running
- Beam of front light

CAB

- Seat - mechanical suspension with 3 inch seat belt
- 2-way adjustable steering column
- Large curved front glass
- Rubber cab mounts
- Cab fresh air filter
- One interior & dual exterior rear-view mirrors
- Air conditioner
- Lunch-box/cooler holder
- One beverage holder
- Cigarette lighter

OTHERS

- Manual central lubrication

OPTIONAL EQUIPMENT

ENGINE

- Cummins Engine
- Cold start aid
- Oil bath double air filter

HYDRAULIC SYSTEM

- Third valve and multipurpose lines
- Pilot joystick

TRANSMISSION

- ZF 4WG158 semi-automatic power shift transmission
- Kick-down function, FNR, F4/R3
- Transmission oil level sight gauge
- Secondary oil filter, oil stick
- Remote pressure taps for diagnostics
- Auto shifting mode by speed
- Interlock between parking brake and gear shifting

TIRE & RIM

- See tires options
- Full fender
- Tire protective chain

CAB

- Certified FOPS (ISO 3449) and ROPS (ISO 3471) cab
- Heated air suspension seat
- Heated external rear view mirrors
- Cab dust removal device
- Front windshield screen (must be mounted at factory)
- Sun visors
- Fire extinguisher
- Cab rear window defroster

LINKAGE & ATTACHMENTS

- Quick coupler
- Additional counterweight
- High/extra-high linkage
- Bolt-on wear-resist blade and teeth
- Rock bucket
- Grapple with aligned or crossed teeth
- Fork
- Snow blade

OTHERS

- Automatic central lubrication
- Weight scale (Electric load weigher)
- Hood protective guard
- License-plate bracket and light
- Rotating beacon
- Transmission protective guard



Guangxi LiuGong Machinery Co., Ltd.

No. 1 Liutai Road, Liuzhou, Guangxi 545007, PR China
T: +86 772 388 6124 E: overseas@liugong.com
www.liugong.com

Like and follow us:



LG-PB-835H-T2-24-092019-ENG

The LiuGong series of logos herein, including but not limited to word marks, device marks, letter of alphabet marks and combination marks, as the registered trademarks of Guangxi LiuGong Group Co., Ltd. are used by Guangxi LiuGong Machinery Co., Ltd. with legal permission, and shall not be used without permission. Specifications and designs are subject to change without notice. Illustrations and pictures may include optional equipment and may not include all standard equipment. Equipment and options varies by regional availability.